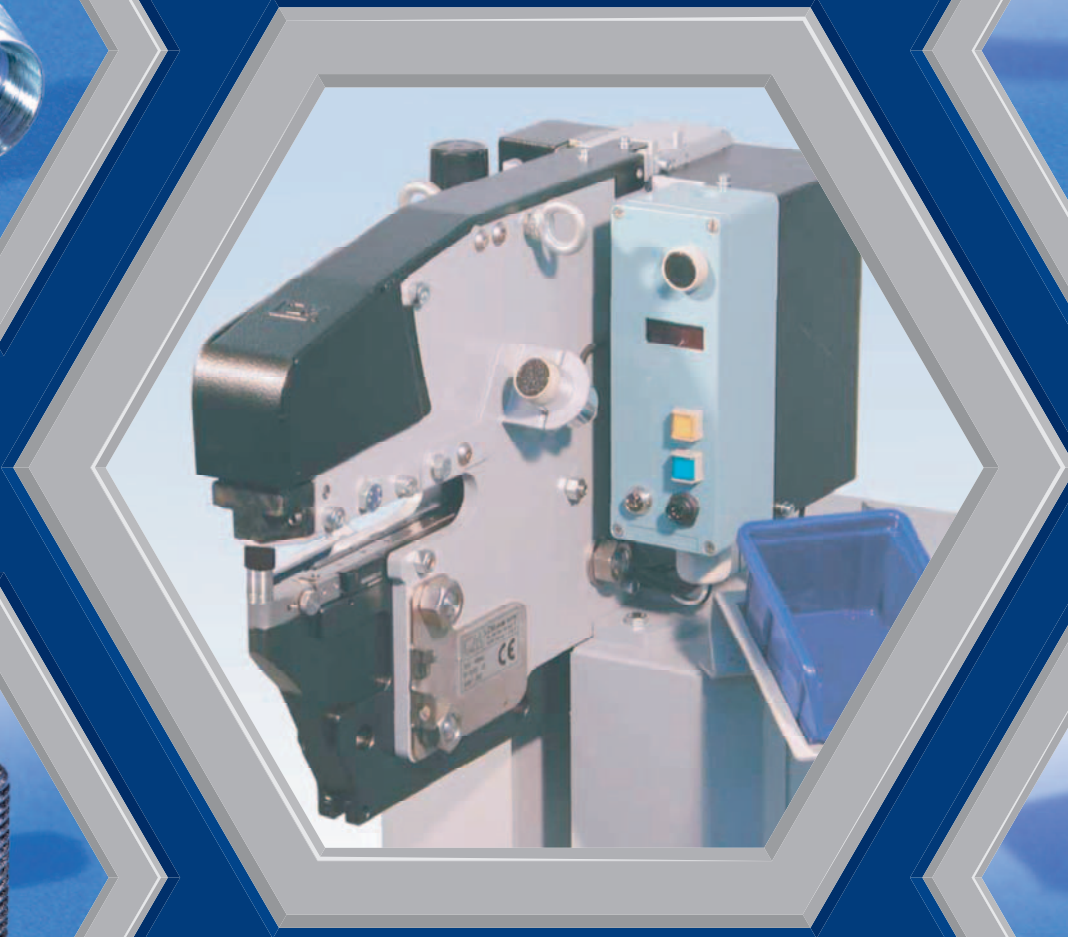
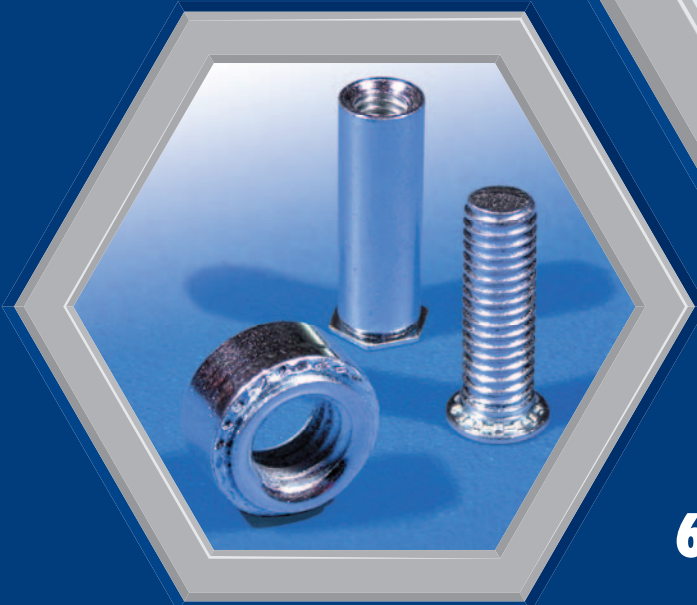


CE APPROVED



DEMO MOVIE
> [CLICK HERE](#) <



PRIMA INSERTER
6 TON INSTALLATION PRESS
FOR SHEET METAL FASTENERS



OFFICIAL EUROPEAN
DISTRIBUTOR

PRIMA INSERTER 6 TON INSTALLATION PRESS

Our 6 ton press for sheet metal fasteners, is small in size but great in its performance. It is built to give reliability and durability at a most competitive price. Simple to operate and maintain, this is an extremely flexible tool indispensable in solving the problems one may encounter when utilising sheet metal fasteners.

First in QUALITY

This is a feature you will appreciate with your very first encounter with the Prima Inserter.

First in SAFETY

Moving saddles reduce the distance between the anvil and punch within the values of safety.

First in FLEXIBILITY

Compactness and geometry of the structure allows installation of fasteners in a variety of applications with a force up to 6,000kg.

> ACCESSORIES <

> SPECIFICATION <

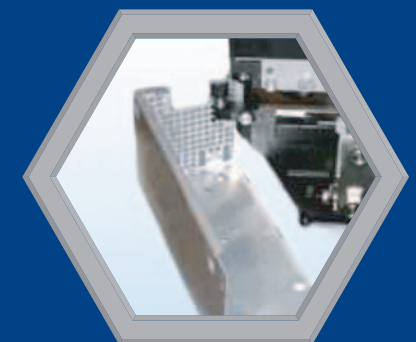
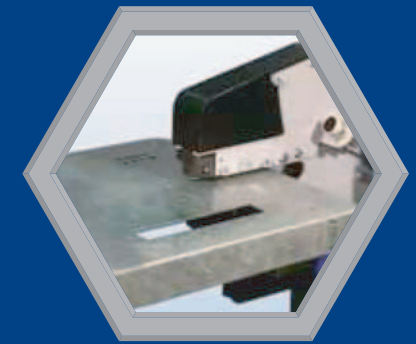


8500

8501/7



>> PLAY DEMO MOVIE <<





OFFICIAL EUROPEAN
DISTRIBUTOR

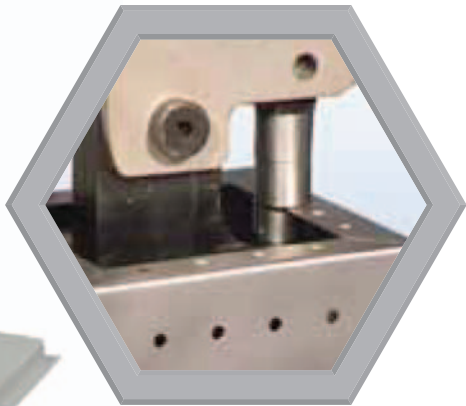
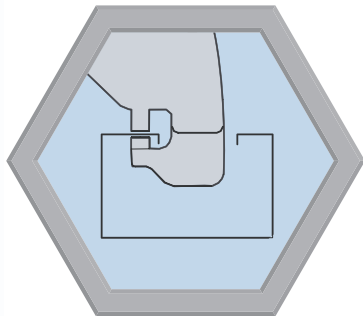
OPTIONAL ACCESSORIES

ACCESSORY NO.1 Allows for easy installation of sheet metal fasteners into 'C' shape applications.

8500



8502

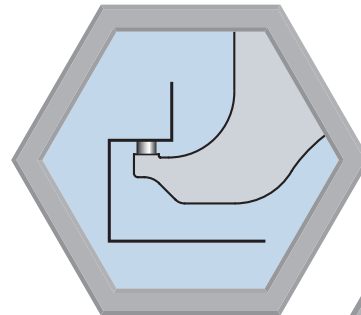


8501/7

> INTRODUCTION <

> SPECIFICATION <

ACCESSORY NO.2. Complete with two changeable frames to provide greater flexibility when installing sheet metal fasteners into box shapes or bespoke pieces of sheet metal.



8503



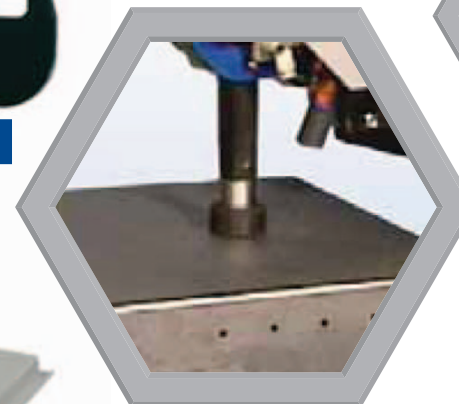
8500



8503

8501/7

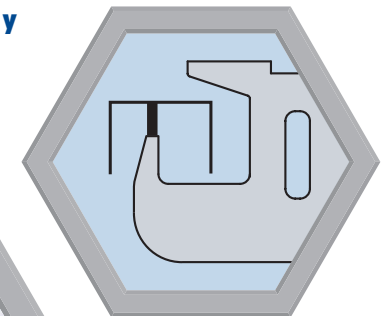
In order to utilize Accessory No.2, it is mandatory to install the press on its stand.



8500



8501/7



Additional frames can also be produced as per your drawings. Please contact us for further details.



TECHNICAL SPECIFICATION

TECHNICAL DATA

Drive: Compressed air 6-10 bar.

Power: 220v / 100w (optional 110v / 100w single phase)

Force range: 280kg - 6.000kg (600 lbs to 14.000 lbs)

Maximum sheet thickness: 3 mm - (0.12")

DIMENSIONS WITHOUT BASE

Weight: 50 kg - (110 lbs)

Height: 311 mm - (12,24")

Depth: 516 mm - (20,31")

250 mm - (9,84")

DIMENSIONS WITH BASE

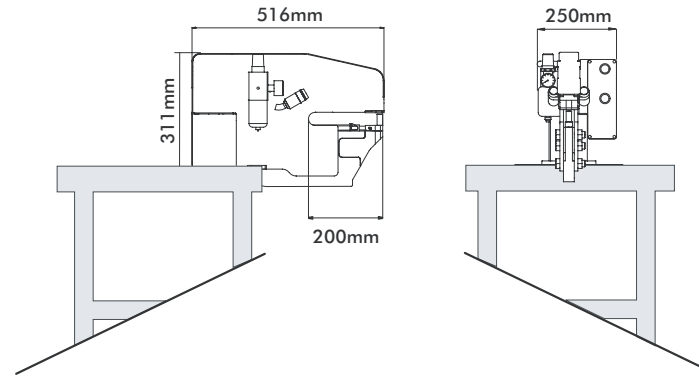
Weight: 93 Kg - (204,6 lbs)

Height: 1295 mm - (50,98")

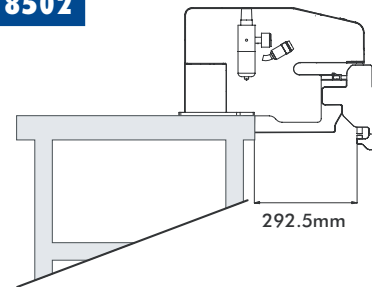
Depth: 730 mm - (28,74")

Width: 380 mm - (14,96")

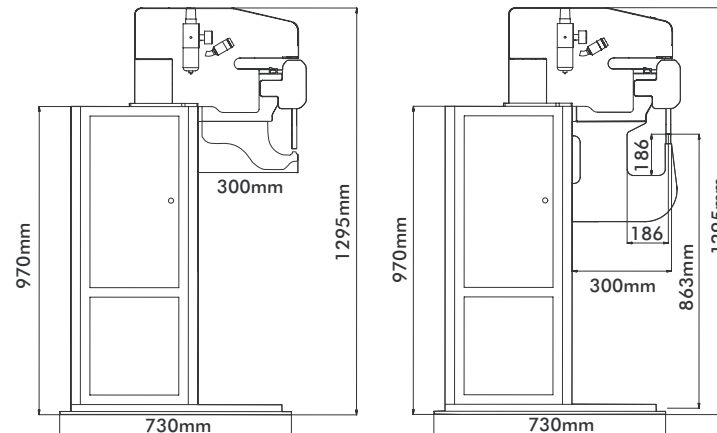
Prima Inserter 8500



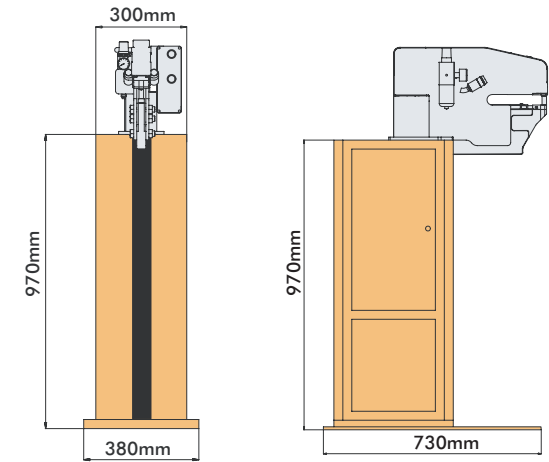
Accessory No.1 8502



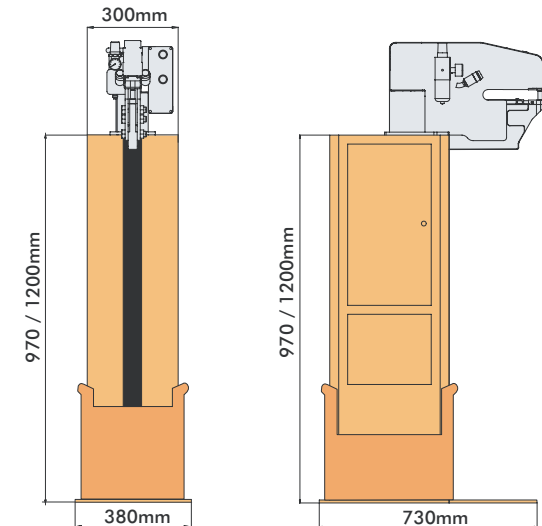
Accessory No.2 8503



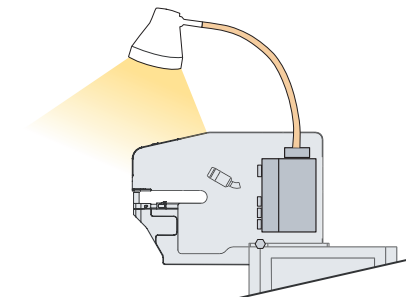
Fixed Stand 8501



Raisable Stand 8507



Lamp



In order to utilize Accessory No.2, it is mandatory to install the press on its stand.