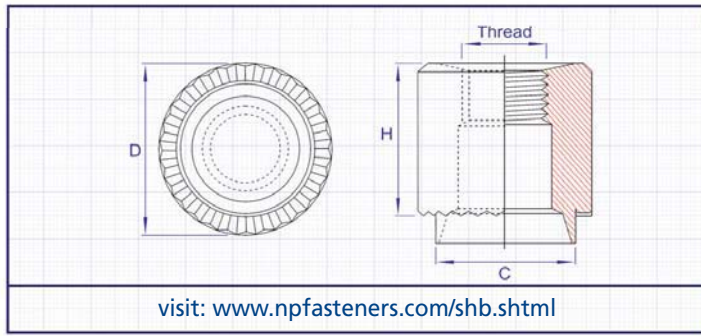


ROUND RIVET BUSH STANDOFFS



TYPE SHB SHBK

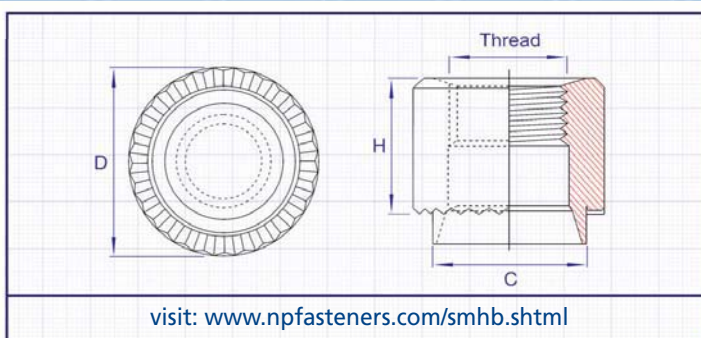


Parts for Special Panel Thickness Available to Order. Contact our sales department for further details.

SPECIFICATION

Thread and Pitch	Sheet Thickness (Standard)	Hole Size in Sheet +0.1 -0.0	D ±0.13	L ±0.13	C +0.0 -0.13
M2.5 x 0.45	10 - 20 Swg	5.54	7.92	MANUFACTURED TO YOUR REQUIREMENTS	5.54
M3 x 0.5	10 - 20 Swg	5.54	7.92		5.54
M3.5 x 0.6	10 - 20 Swg	6.73	9.52		6.73
M4 x 0.7	10 - 20 Swg	6.73	9.52		6.73
M5 x 0.8	10 - 20 Swg	7.92	11.10		7.92
M6 x 1.0	10 - 20 Swg	9.52	12.70		9.52
M8 x 1.25	10 - 20 Swg	12.70	15.87		12.70
M10 x 1.5	10 - 20 Swg	15.87	19.05		15.87
M12 x 1.75	10 - 20 Swg	19.05	25.40		19.05

MINIATURE RIVET BUSH STANDOFFS



TYPE SMHB SMHBK

Parts for Special Panel Thickness Available to Order. Contact our sales department for further details.

SPECIFICATION

Thread Size	Sheet Thickness (Standard)	Hole Size in Sheet +0.1 -0.0	D ±0.13	L ±0.13	C +0.0 -0.13
M2.5 x 0.45	10 - 20 Swg	4.19	5.55	MANUFACTURED TO YOUR REQUIREMENTS	4.19
M3 x 0.5	10 - 20 Swg	4.19	5.55		4.19
M3.5 x 0.6	10 - 20 Swg	5.41	7.00		5.41
M4 x 0.7	10 - 20 Swg	5.41	7.00		5.41
M5 x 0.8	10 - 20 Swg	6.40	8.50		6.40
M6 x 1.0	10 - 20 Swg	7.70	10.00		7.70
M8 x 1.25	10 - 20 Swg	9.70	12.00		9.70

INFORMATION SHB/SHBK & SMHB/SMHBK

FINISHES

Self Finish (GX), Bright Zinc Trivalent Clear Passivated (GZ), (Other Platings Available To Special Order).

MATERIALS

Mild Steel, Stainless Steel 300 Series (GS), (Aluminium (GA) To Special Order), (Brass (GB) To Special Order).

PART NUMBER EXAMPLES

Type / Length / Thread / Sheet Thickness / Finish =

SHB - 10M5 - 12 - GX (Rivet Bush Standoff, M5 x 10mm x 12swg, Steel)

SHB - 8M4 - 18 - GA (Rivet Bush Stand off, M4 x 8mm x 18swg, Aluminium)

SMHB - 6M3 - 18 - GX (Mini Rivet Bush Standoff, M3 x 6mm x 18swg, Steel)

SMHB - 10M4 - 18 - GA (Mini Rivet Bush Stand off, M4 x 10mm x 18swg, Aluminium)

We can also supply Rivet Bushes in UNC/UNF, BSW, BA, BSP threads to special order. Please contact our sales department for further information.