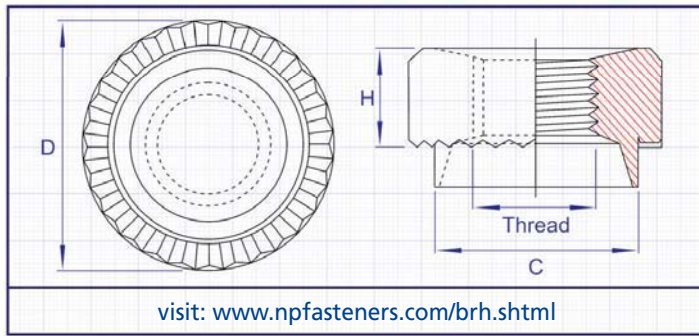


ROUND RIVET BUSH



TYPE BRH BRHK



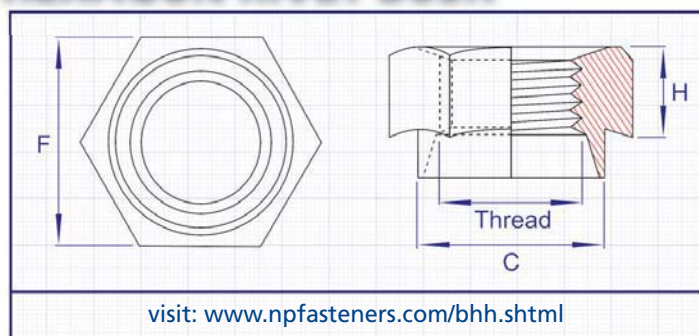
Parts for Special Panel Thickness Available to Order. Contact our sales department for further details.

SPECIFICATION

*TO SPECIAL ORDER

Thread Size	Sheet Thickness (Standard)	Hole Size in Sheet +0.1 -0.0	D ±0.13	H ±0.13	C +0.0 -0.13
M2.5 X 0.45*	10 - 20 Swg	5.54	7.92	3.17	5.54
M3 x 0.5	10 - 20 Swg	5.54	7.92	3.17	5.54
M3.5 x 0.6*	10 - 20 Swg	6.73	9.52	3.17	6.73
M4 x 0.7	10 - 20 Swg	6.73	9.52	3.17	6.73
M5 x 0.8	10 - 20 Swg	7.92	11.10	3.81	7.92
M6 x 1.0	10 - 20 Swg	9.52	12.70	5.08	9.52
M8 x 1.25	10 - 20 Swg	12.70	15.87	6.35	12.70
M10 x 1.5	10 - 20 Swg	15.87	19.05	7.62	15.87
M12 x 1.75*	10 - 20 Swg	19.05	25.40	10.16	19.05

HEXAGON RIVET BUSH



TYPE BHH

Parts for Special Panel Thickness Available to Order. Contact our sales department for further details.

SPECIFICATION

*TO SPECIAL ORDER

Thread Size	Sheet Thickness (Standard)	Hole Size in Sheet +0.1 -0.0	F ±0.13	H ±0.13	C +0.0 -0.1
M2.5 x 0.45*	10 - 20 Swg	5.54	7.92	3.17	5.54
M3 x 0.5	10 - 20 Swg	5.54	7.92	3.17	5.54
M3.5 x 0.6*	10 - 20 Swg	6.73	7.92	3.17	6.73
M4 x 0.7	10 - 20 Swg	6.73	7.92	3.17	6.73
M5 x 0.8	10 - 20 Swg	7.92	9.52	3.81	7.92
M6 x 1.0	10 - 20 Swg	9.52	11.10	5.08	9.52
M8 x 1.25	10 - 20 Swg	12.70	14.27	6.35	12.70
M10 x 1.5	10 - 20 Swg	15.87	19.05	7.62	15.87
M12 x 1.75*	10 - 20 Swg	19.05	22.22	10.16	19.05

INFORMATION BRH/BRHK & BHH

FINISHES

Self Finish (GX), Bright Zinc Trivalent Clear Passivated (GZ), (Other Platings Available To Special Order).

MATERIALS

Mild Steel, Stainless Steel 300 Series (GS), (Aluminium (GA) To Special Order), (Brass (GB) To Special Order).

PART NUMBER EXAMPLES

Type / Thread / Sheet Thickness / Finish =

BRH - M3 - 10 - GZ (Round Rivet Bush, M3x10swg, Steel, BZP)

BRH - M6 - 18 - GS (Round Rivet Bush, M6x18swg, Stainless)

BHH - M5 - 16 - GB (Hexagon Rivet Bush, M5x16swg, Brass)

BHH - M4 - 18 - GX (Hexagon Rivet Bush, M4x18swg, Steel)

We can also supply Rivet Bushes in UNC/UNF, BSW, BA, BSP threads to special order. Please contact our sales department for further information.