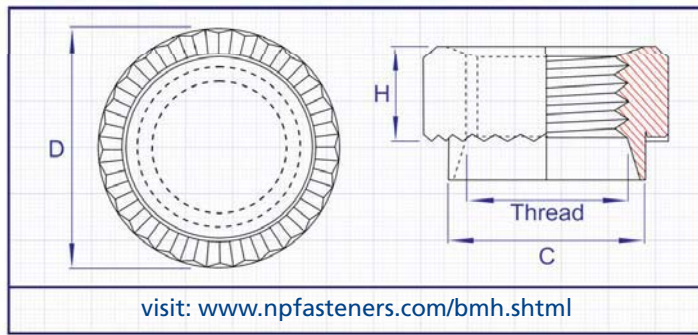


ROUND MINIATURE RIVET BUSH



TYPE BMH BMHK



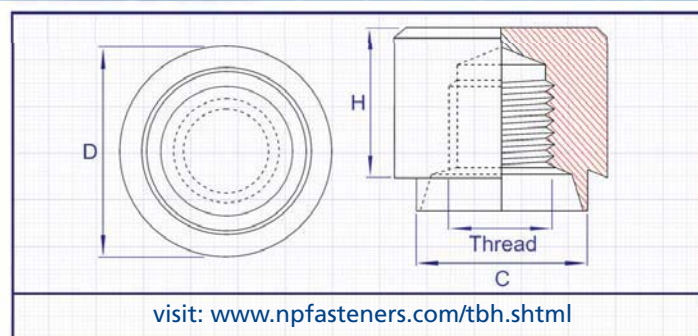
Parts for Special Panel Thickness Available to Order. Contact our sales department for further details.

SPECIFICATION

*TO SPECIAL ORDER

Thread Size	Sheet Thickness (Standard)	Hole Size in Sheet +0.1 -0.0	D ±0.13	H ±0.13	C +0.0 -0.13
M2.5 x 0.45*	10 - 20 Swg	4.19	5.55	2.80	4.19
M3 x 0.5	10 - 20 Swg	4.19	5.55	2.80	4.19
M3.5 x 0.6 *	10 - 20 Swg	5.41	7.00	3.20	5.41
M4 x 0.7	10 - 20 Swg	5.41	7.00	3.20	5.41
M5 x 0.8	10 - 20 Swg	6.40	8.50	3.80	6.40
M6 x 1.0	10 - 20 Swg	7.70	10.00	5.10	7.70
M8 x 1.25*	10 - 20 Swg	9.70	12.00	6.50	9.70

TANK BUSH



TYPE TBH

Parts for Special Panel Thickness Available to Order. Contact our sales department for further details.

SPECIFICATION

*TO SPECIAL ORDER

Thread Size	Sheet Thickness (Standard)	Hole Size in Sheet +0.1 -0.0	D ±0.13	H ±0.13	C +0.0 -0.13
M3 x 0.5	10 - 20 Swg	5.54	7.92	8.61	5.54
M3.5 x 0.6 *	10 - 20 Swg	6.73	9.52	8.97	6.73
M4 x 0.7	10 - 20 Swg	6.73	9.52	8.97	6.73
M5 x 0.8	10 - 20 Swg	7.92	11.10	9.32	7.92
M6 x 1.0	10 - 20 Swg	9.52	12.70	10.57	9.52
M8 x 1.25	10 - 20 Swg	12.70	15.87	11.89	12.70
M10 x 1.5 *	10 - 20 Swg	15.87	19.05	16.50	15.87
M12 x 1.75 *	10 - 20 Swg	19.05	25.40	19.05	19.05

INFORMATION BMH/BMHK & TBH

FINISHES

Self Finish (GX), Bright Zinc Trivalent Clear Passivated (GZ), (Other Platings Available To Special Order).

MATERIALS

Mild Steel, Stainless Steel 300 Series (GS), (Aluminium (GA) To Special Order), (Brass (GB) To Special Order).

PART NUMBER EXAMPLES

Type / Thread / Sheet Thickness / Finish =

BMH - M3 - 10 - GZ (Round Mini Rivet Bush, M3 x 10swg, Steel, BZP)

BMH - M6 - 18 - GS (Round Mini Rivet Bush, M6 x 18swg, Stainless Steel)

TBH - M5 - 16 - GZ (Tank Bush, M5 x 16swg, Steel, BZP)

TBH - M4 - 18 - GX (Tank Bush, M4 x 18swg, Steel)

We can also supply Rivet Bushes in UNC/UNF, BSW, BA, BSP threads to special order. Please contact our sales department for further information.